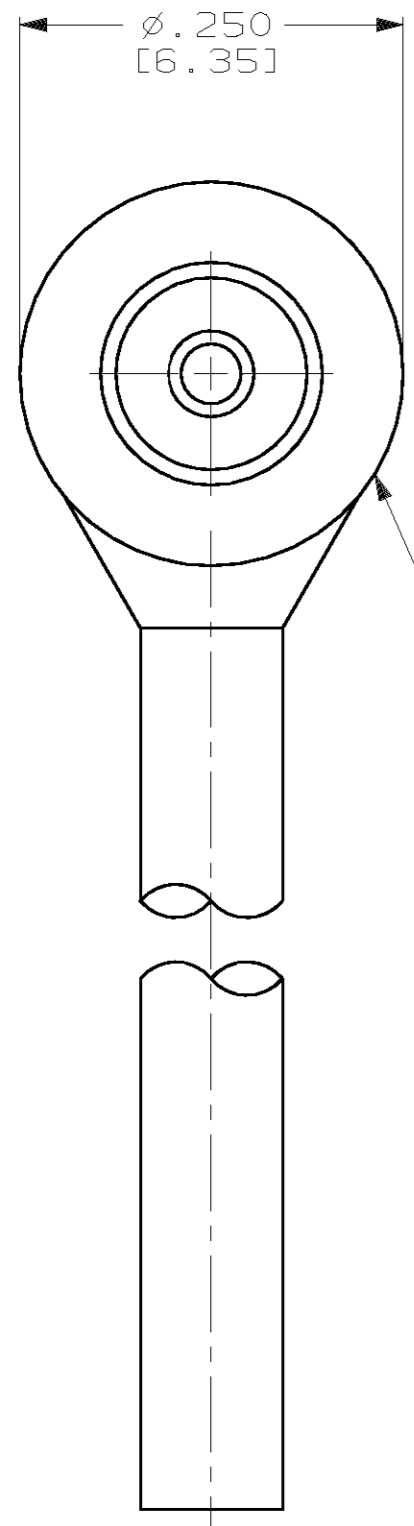


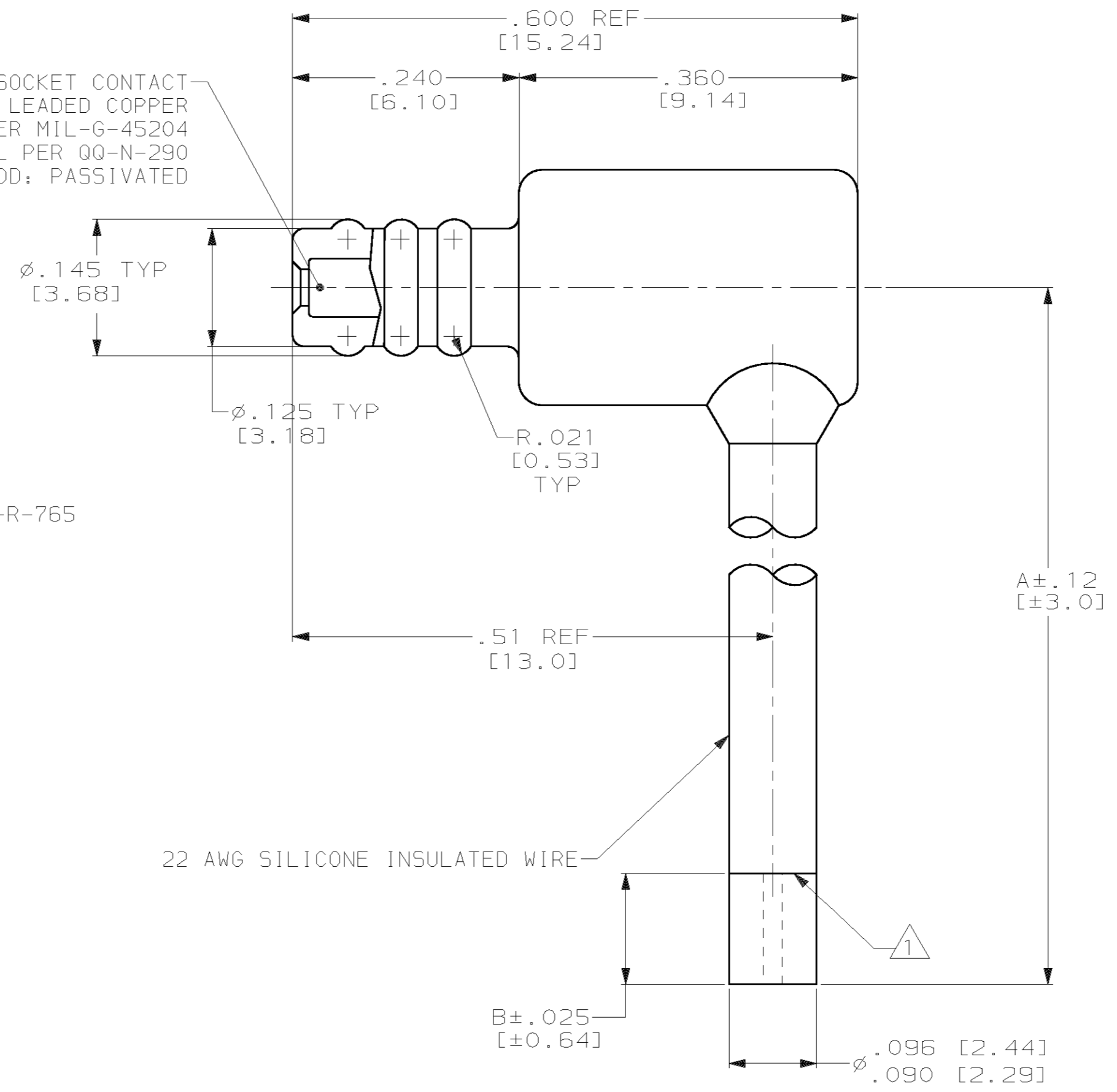
THIS DRAWING IS UNPUBLISHED. RELEASED FOR PUBLICATION .19
 © COPYRIGHT 19 BY AMP INCORPORATED. ALL RIGHTS RESERVED.

LOC	DIST	REVISIONS			
P	LTR	DESCRIPTION	DATE	DWN	APVD
DF	SO				
	D	ADD -3 & -4 PER 063D-0299-00	6-00	CT	DE



HOUSING
 MAT'L: SILICONE RUBBER PER ZZ-R-765

SOCKET CONTACT
 MAT'L: LEADED COPPER
 FINISH: GOLD PLATED PER MIL-G-45204
 OVER NICKEL PER QQ-N-290
 HOOD: PASSIVATED



22 AWG SILICONE INSULATED WIRE

- 1 INSULATION CUT BUT NOT REMOVED.
- 2. MARKED PER MIL-STD-130.

-	4.00 [101.6]	1218134-4
-	8.00 [203.2]	1218134-3
.250 [6.35]	6.63 [168.4]	1218134-2
-	10.00 [254.0]	1218134-1
DIM B	DIM A	PART NUMBER

THIS DRAWING IS A CONTROLLED DOCUMENT.		DWN C.C.THOMAS 1-8-98	AMP AMP Incorporated Harrisburg, PA 17105-3608
DIMENSIONS: INCHES [mm]		CHK D.EABY 1-9-98	
TOLERANCES UNLESS OTHERWISE SPECIFIED:		APVD D.EABY 1-9-98	NAME PLUG ASSY, RGL, LGH
0 PLC ±- 1 PLC ±- 2 PLC ±- 3 PLC ±.005 [0.13] 4 PLC ±- ANGLES ±-		PRODUCT SPEC -	
MATERIAL	FINISH	APPLICATION SPEC -	SIZE A2
-	-	WEIGHT -	CAGE CODE 00779
CUSTOMER DRAWING		SCALE 8:1	DRAWING NO C-1218134
		SHEET 1 OF 1	REV D

1218134